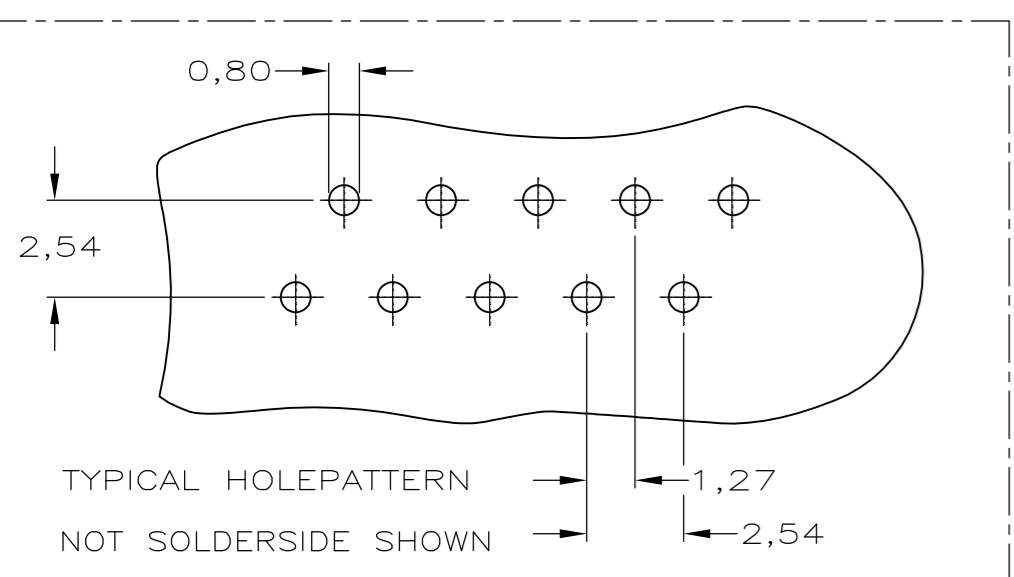
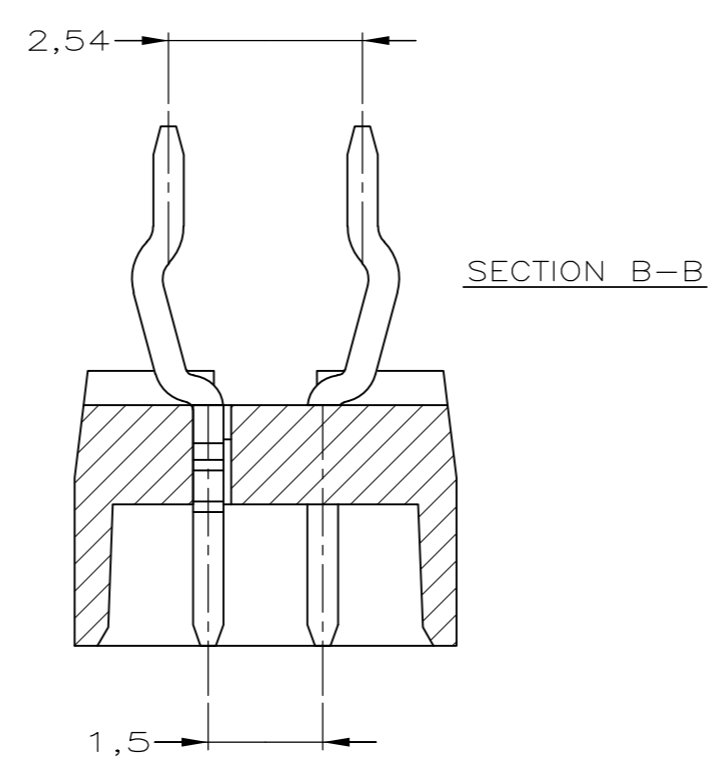
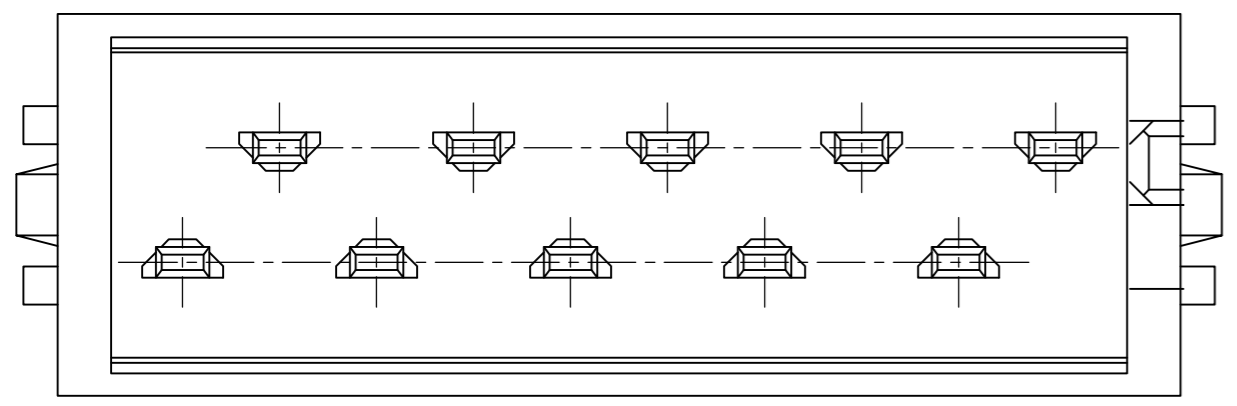
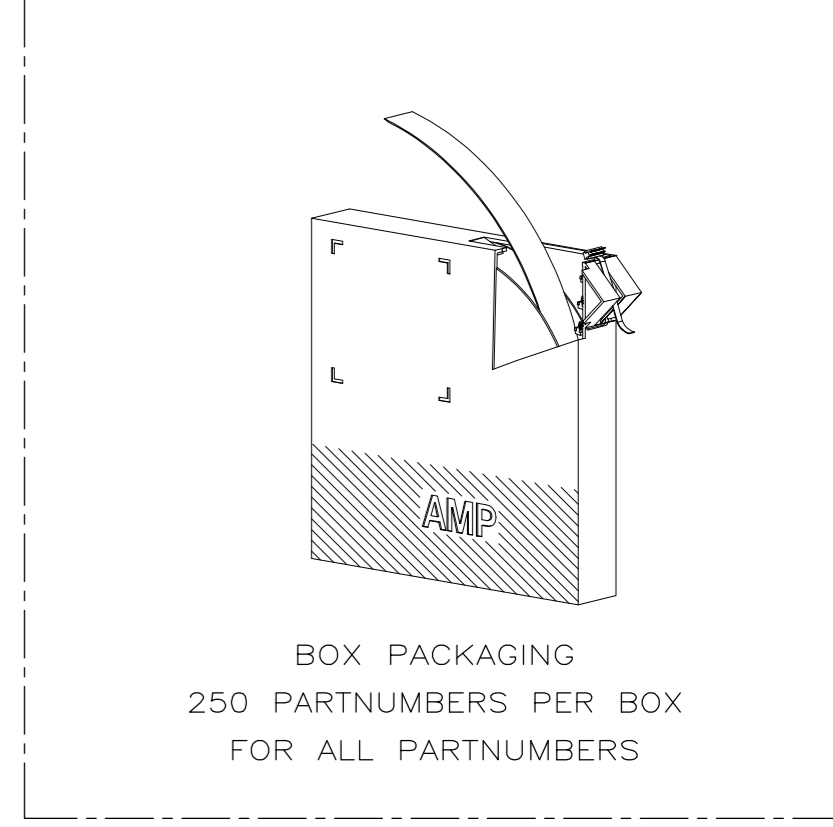
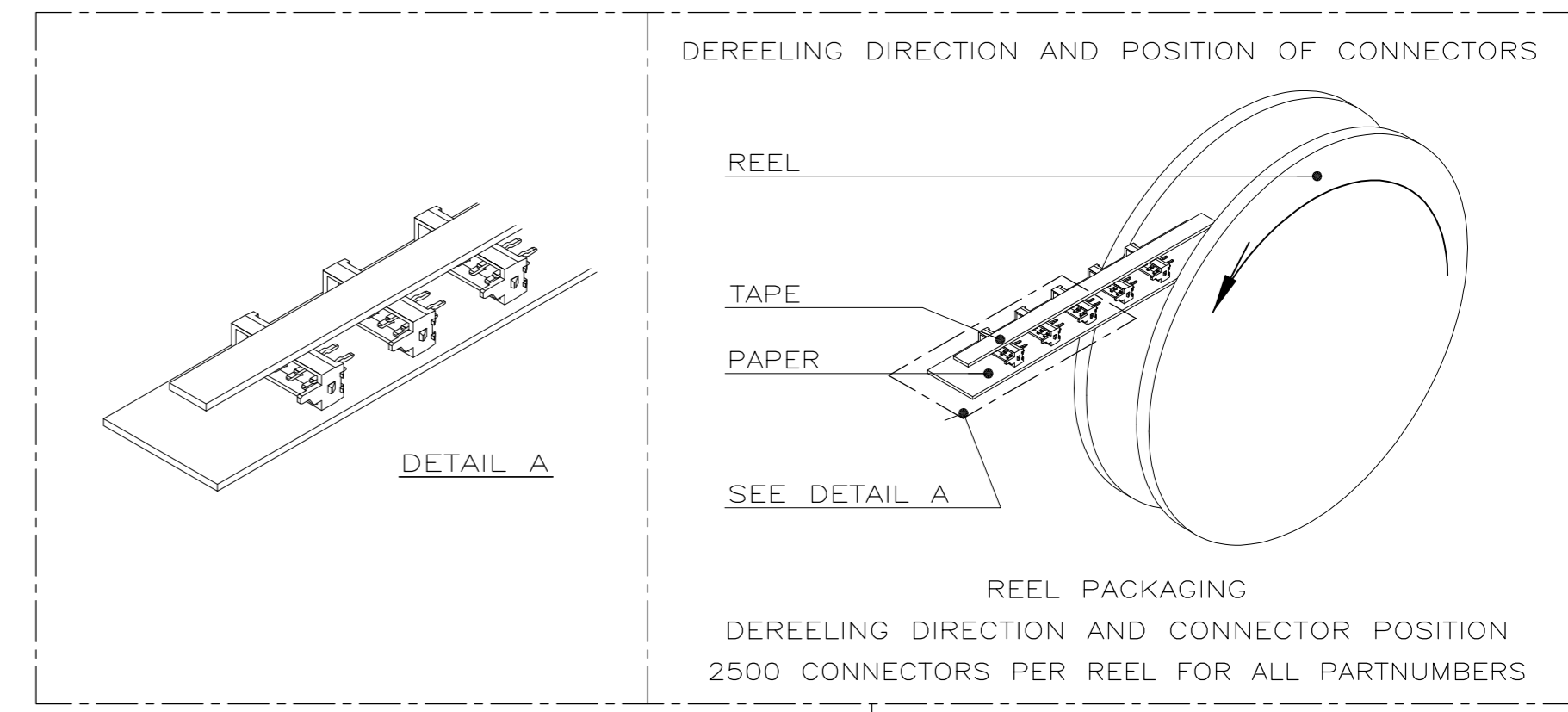
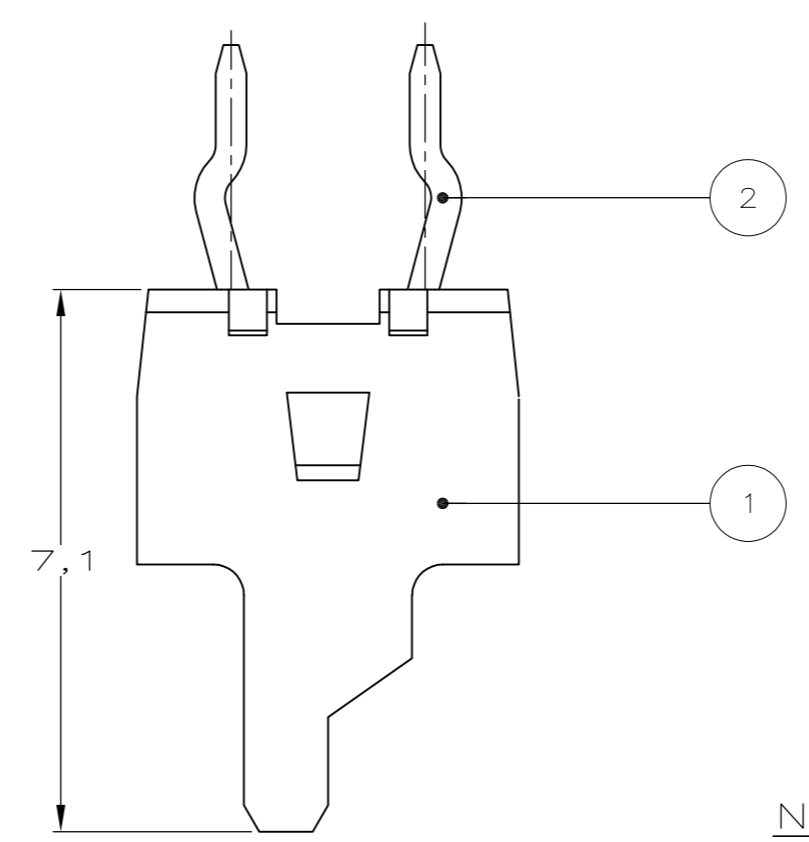
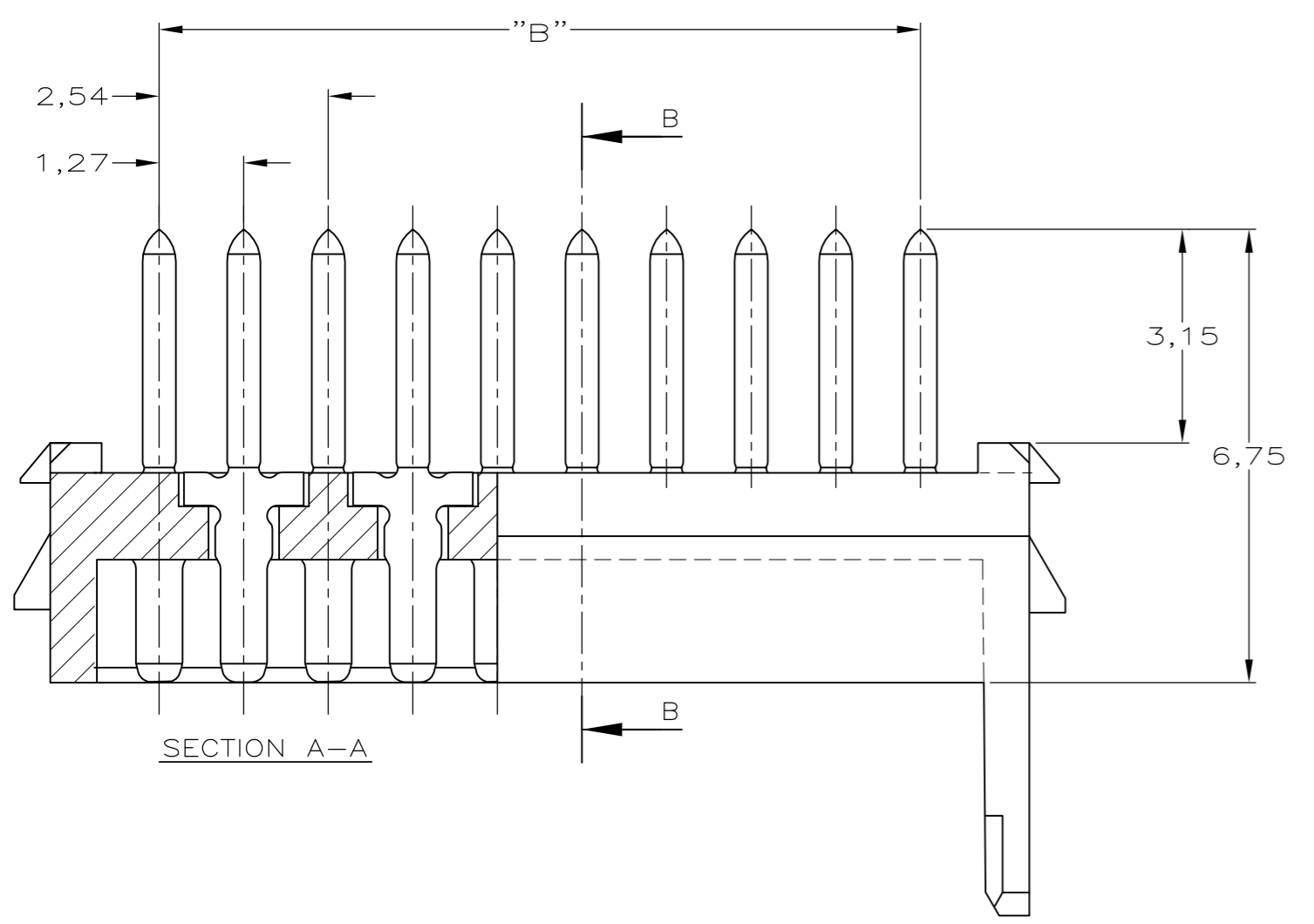
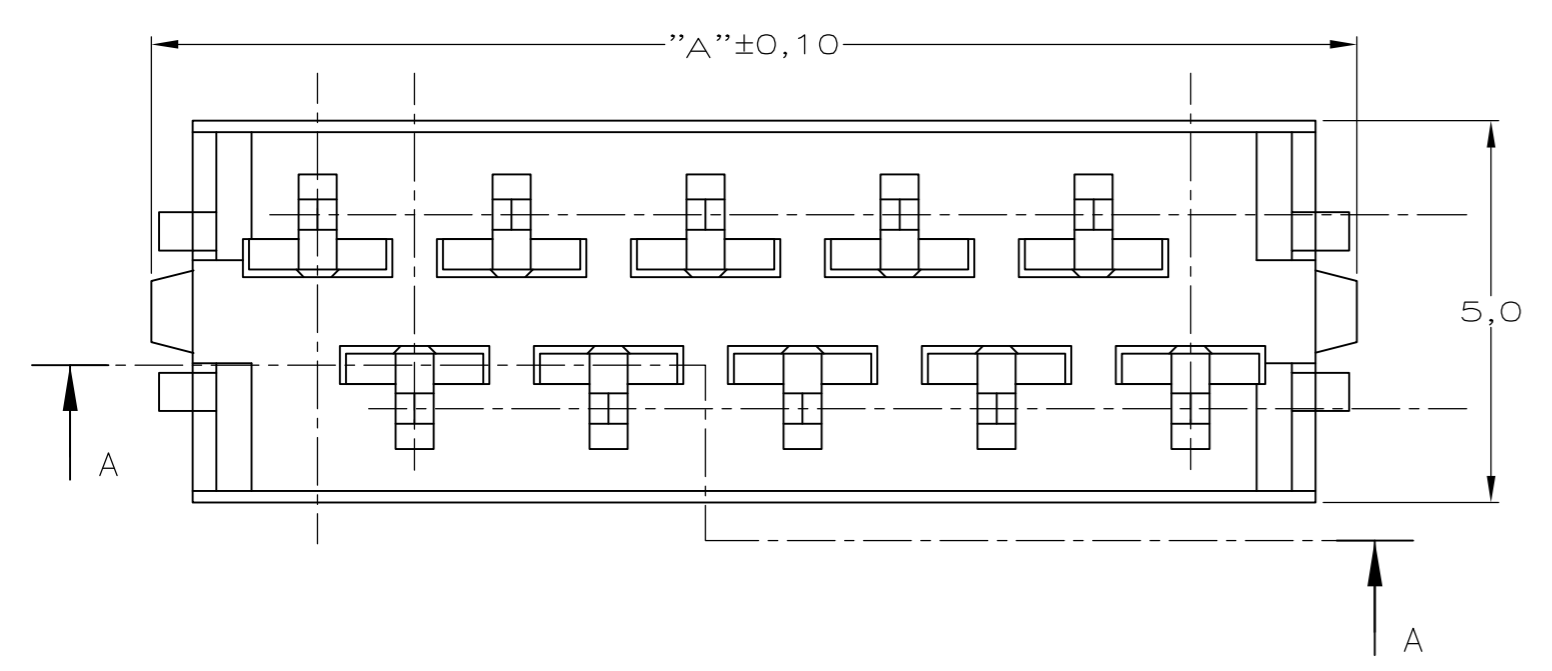


DO NOT SCALE  
DIMENSIONS IN mm

METRIC

THIRD ANGLE  
PROJECTION

PARTNUMBER BOX PACKAGING	PARTNUMBER REEL PACKAGING	NUMBER OF POSITIONS	DIMENSION	
			"A"	"B"
7-215464-4	0-215464-4	4	8,2	3,81
7-215464-6	0-215464-6	6	10,7	6,35
7-215464-8	0-215464-8	8	13,3	8,89
8-215464-0	1-215464-0	10	15,8	11,43
8-215464-2	1-215464-2	12	18,3	13,97
8-215464-4	1-215464-4	14	20,8	16,51
8-215464-6	1-215464-6	16	23,4	19,05
8-215464-8	1-215464-8	18	25,9	21,59
9-215464-0	2-215464-0	20	28,4	24,13



NOTE:

1. PRODUCT SPECIFICATION: 108-19052

FINISH	MATERIAL	DESCRIPTION	ITEM
TIN OVER NICKEL PLATING.	PHOSPHORBRONZE	MALE CONTACT	2
	GLASS FILLED POLYESTER (RED)	HOUSING	1

CUSTOMER DRAWING				FOR REFERENCE ONLY WILL NOT BE UPDATED	
© COPYRIGHT - BY -				ALL INTERNATIONAL RIGHTS RESERVED.	
THIS DRAWING IS UNPUBLISHED				RELEASED FOR PUBLICATION .19	
<b>TE</b> TE Connectivity					
NAME				Micro-MaTch MALE-ON-BOARD LONG POST, POLARIZED	
M1	REVISED PER ECO-11-005294	RK	HMR	05APR11	
LTR.	REVISION RECORD	DR.	CHK.	DATE	
DR.: J. VAN DREUMEL	CHK.: H. KOKKEN	APP.: -	DWG.No.	REV.LTR.	SHEET
DATE: 15-04-92	DATE: -	DATE: -	215464	M1	1 OF 1